

# Y-Crane

YCR10 / YCR20



Yacht Crane

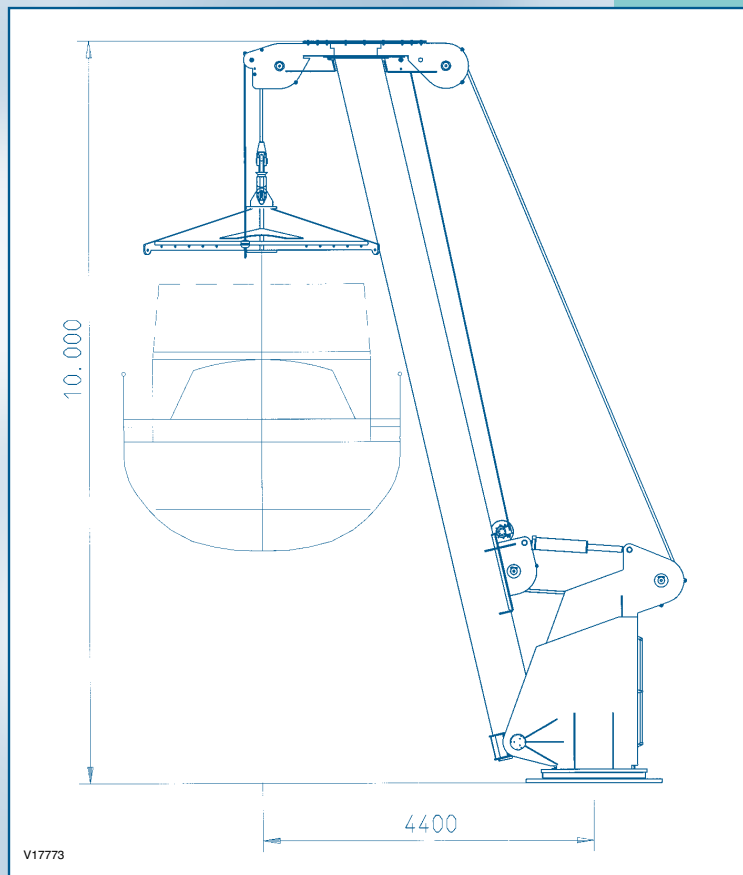


# Model YCR10/YCR20

## TECHNICAL SPECIFICATIONS

VERMEER-HOLLAND OFFERS A RANGE OF HARBOUR EQUIPMENT LIKE YACHT CRANES, CRADLES AND FRAMES. THE VERMEER-HOLLAND YACHT-CRANES ARE AVAILABLE IN TWO TYPES, THE YCR-10 AND YCR-20, WITH A LIFTING CAPACITY OF 10 OR 20 TONS. THE YACHT-CRANE IS SPECIALLY DESIGNED TO LIFT OR LOWER PLEASURE YACHTS IN AND OUT OF THE WATER FOR REPAIR WORKS, WINTER STORAGE OR CLEANING. INSTEAD OF A HOISTING WINCH, LIFTING TAKES PLACE BY MEANS OF A HYDRAULIC CYLINDER EXTRACTING THE HOISTING CABLE OVER DIFFERENT SHEAVES. THIS TECHNIQUE HAS PROVEN IT'S DURABILITY IN ELEVATORS FOR MANY YEARS. IT IS A VERY SAVE AND CONTROLLABLE SYSTEM THAT WILL REDUCE THE COST FOR MAINTENANCE SIGNIFICANTLY. THE HYDRAULIC LIFTING CYLINDER, CABLES AND SHEAVES ARE ALL BUILT IN THE MAIN BOOM. THEREFORE THE Y-CRANE BECOMES VERY SMOOTH OUTSIDE. THE Y-CRANE IS ELECTRICALLY / HYDRAULICALLY DRIVEN. THE BOOM HAS A FORWARD INCLINATION, CREATING A FLIGHT OF 4.4 METER. IF REQUESTED, A HYDRAULIC CYLINDER CAN BE MOUNTED TO ADJUST THE FLIGHT FROM 3 UP TO 4,4 METER. AS AN OPTION, AN ANTI ROTATING SYSTEM CAN BE DELIVERED AVOIDING THE YACHT FROM ROTATING DUE TO WIND WHEN HOISTING. THE BOOM CAN EASILY BE LOWERED IN A HORIZONTAL POSITION FOR MAINTENANCE.

Capacity	10 or 20 tons
Rotation	300 degrees
Lifting height	7500 mm
Flight	4400 mm
Nominal height	10000 mm
Foundation	Diam. 1750 mm
Power	400 V, 40 Amp.
Options	* Hydraulic flight adjustment 3000 mm up to 4400 mm * Anti rotation system * Auxiliary winch * Radio remote control * Working lights



Vermeer - YCR10 / YCR20 - E-REV 1/03

Your dealer:

**VERMEER**  **HOLLAND**

Graftermeerstraat 29-33  
2131 AA Hoofddorp  
The Netherlands

P.O. Box 20  
2130 AA Hoofddorp  
The Netherlands

Telephone: +31 (0)23 - 55 42 300  
Fax: +31 (0)23 - 56 37 133

E-mail: [info@vermeer-holland.nl](mailto:info@vermeer-holland.nl)  
Internet: [www.vermeer-holland.nl](http://www.vermeer-holland.nl)

Technical specifications are subject to change without notice